

REFERENCE : KI0427

SIZES : U

COMPOSITION :

: Polyester twill PVC backing · 470 100% Polyester

Main fabric : Polyester oxford 600D PVC backing As contrast material on bottom part of front/back/side panels + bottom panel. 100%polyester

Material 3 : PU quality On bottom part of shoulder pad. 100% polyurethane

Lining : Polyester 210D PU backing - 75 As inside lining. 100% polyester

Lining : Polyester fleece - 150 For small pocket on top seam. 100%polyester

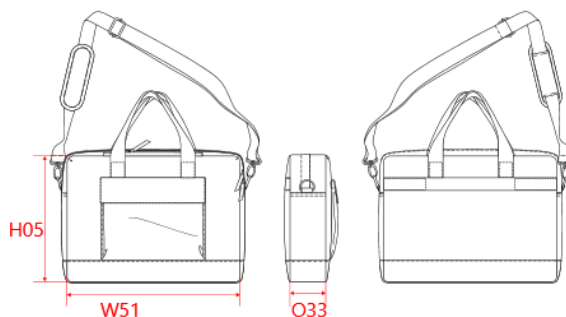
Fabric 1 : Synthetic fabric - Polyester with PU coating For special puller zips of main opening + top pocket. 100% polyester - Polyurethane coating

TECHNICAL DETAIL :

PVC backing

ARTICLE WEIGHT :

660 gr/pc



| DESCRIPTION | |
|---------------------|----------------------|
| Français : | Sac porte ordinateur |
| English : | Laptop bag |
| Nederlands : | Laptoptas |
| Deutsch : | Laptop-Tasche |
| Español : | Bolsa para ordenador |
| Italiano : | Borsa porta computer |
| Português : | Mala para computador |

| COLORS | PANTONE SERIGRAPHIE |
|--------------------|---------------------|
| Black / Black | Black / Black |
| Grey twill / Black | - |

| MEASUREMENT | |
|--|----|
| Description | U |
| H05 Hauteur totale / Total height | 30 |
| W51 Total width | 40 |
| O33 Deep of bottom part | 10 |

| PACKING | |
|---------|---|
| Box | 15 pcs / box Size => L: 52cm W: 38cm H: 55cm GW: 11,2Kg NW: 10,2Kg |